

Pellet Grill Top Shelf Installation - Retrofit

Tools needed:

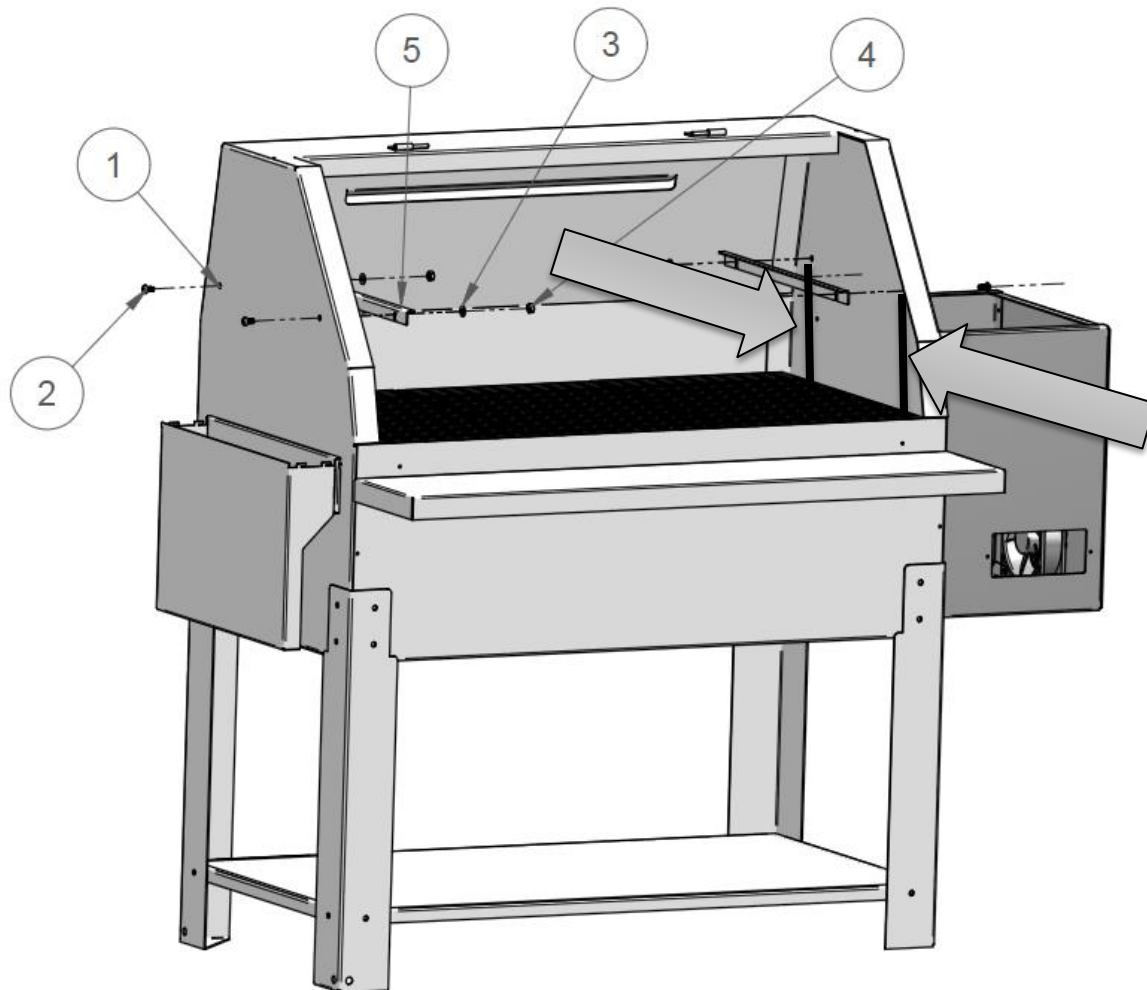
- Drill
- 1/4" drill bit
- Level
- Phillips head screw driver

Provided hardware:

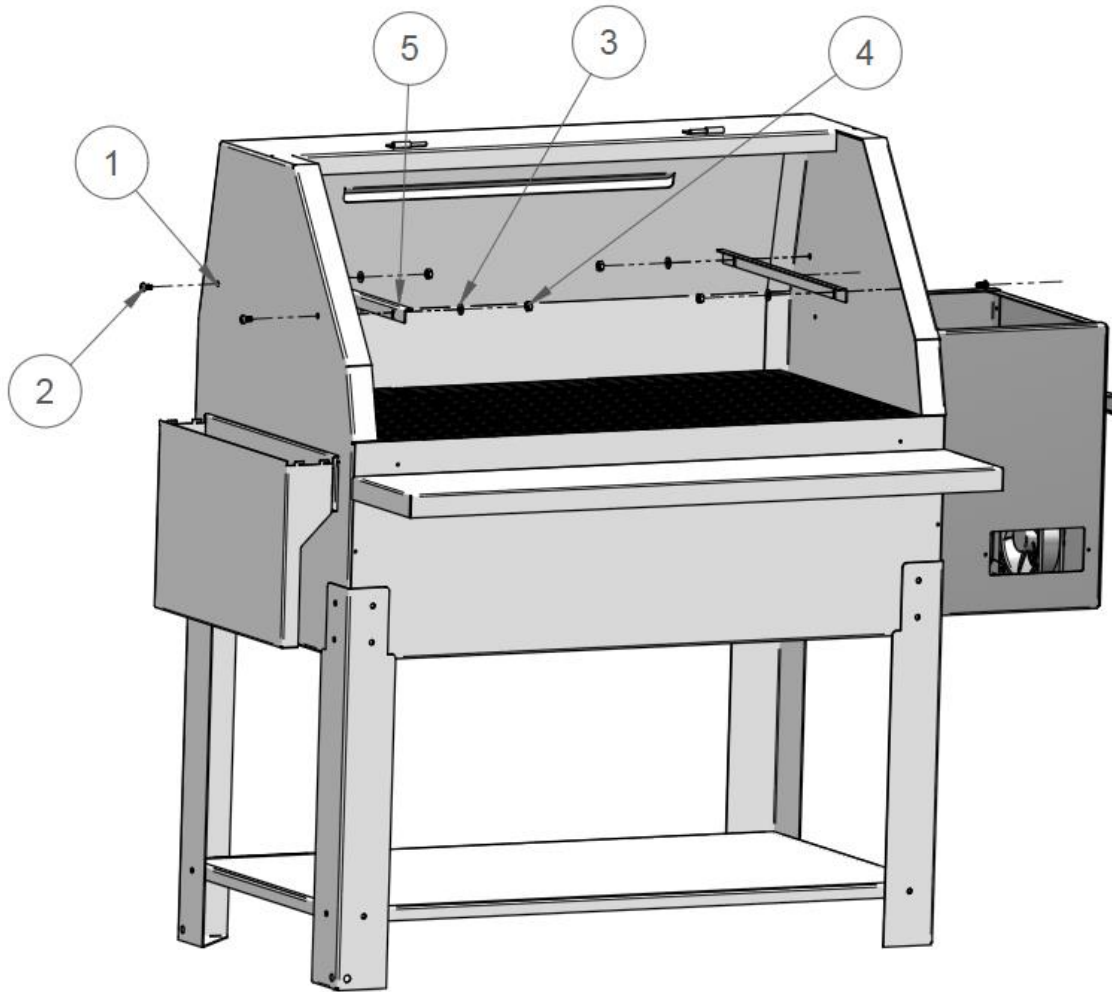
- (2) Smoke Racks
- (2) L brackets
- (4) Bolts
- (4) Washers
- (4) Nuts

Instructions:

- Measure 7" from the top of the grill grate to where the bracket will be placed.
 - See bold lines in diagram where arrows point.
- Using bracket as template place level on top of bracket and evenly center between front and back of grill making sure it's level.
 - Bracket notches will be facing down
 - There is very little room between front and back of grill and spacing does not have to be perfect, just even
 - A carpenters square works well for this
- For hardware installation, follow instructions located on front side of page



Pellet Grill Top Shelf Installation



1. Remove hole knockout using a small screwdriver and applying pressure
2. Once hole is exposed insert the provided bolts in to the hole
3. Insert washer provided on the bolt
4. Insert nut provided on bolt and lightly tighten to allow proper placement of rail
5. Once rail is properly aligned, tighten bolts to completely secure rail to grill